



ICE 8SG SIDE GRIPPER

Dieseko Group's ICE builds hundreds of hydraulic vibratory hammers every year. Experienced and dedicated engineers are developing these hammers. Also users and clients are involved in the development process for finding the best solutions. Now these engineers developed a simple, rigid and extremely reliable side gripper. With this excavator mounted type vibratory hammer you will work fast and efficient and with less staff. Even without a telescopic leader now you can drive the longest profiles with the newly designed side grip.

DESIGN

Limited number of moving parts

RIGID

Efficient load transfer

VERSATILE

One solution; many applications

RELIABLE

Based on proven and extremely reliable Dieseko technology

OUR UNIQUE DESIGN:

LINEAR CLAMPING MOVEMENT

Results in less moving/wear parts as well as efficient clamping load transfer (cylinder force = clamping force). Less wear and tear parts, low maintenance costs, less downtime.

MULTI DIRECTIONAL ELASTOMERS

Elastomers are placed in multi directions giving better stability while operating the machine. This design also guarantees less stress on parts and construction.

RIGID CENTRIFUGAL FORCE LOAD TRANSFER

The centrifugal force load and clamp movement load is completely separated. Centrifugal forces are taken by the rigid structures (Gearbox, cylinder housings, clamping arms), while the clamping forces are taken by the cylinder rods.

CLAMP CLAW EXCHANGE

Exchanging clamp claw configuration without changing the clamp arms for gripping sheet piles, casings up to \varnothing 550 mm and H-beams up to H500.

OTHER BENEFITS

- Protected hose routes: main hydraulic hoses inside the suspension yoke
- Unlimited 360° rotary head
- +/- 35° tilting adapter
- Exchangeable excavator connection adapter to fit any excavator adapter type
- Extensive clamp stroke to clamp wide variety sizes of sheet piles, casings and H-beams

Suitable piling profiles



Sheet pile



Tube



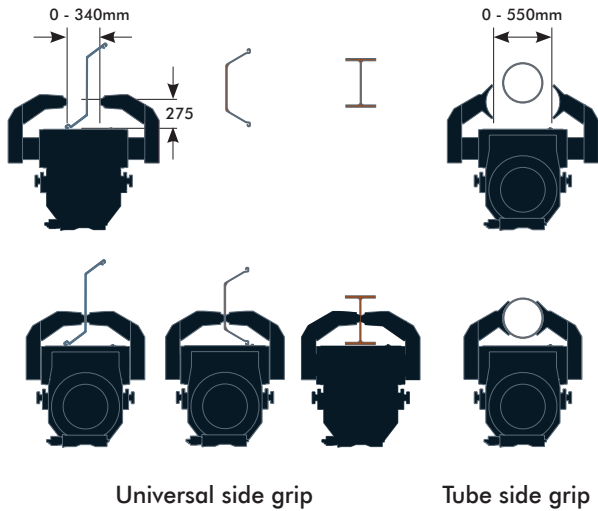
H-beam



I-beam

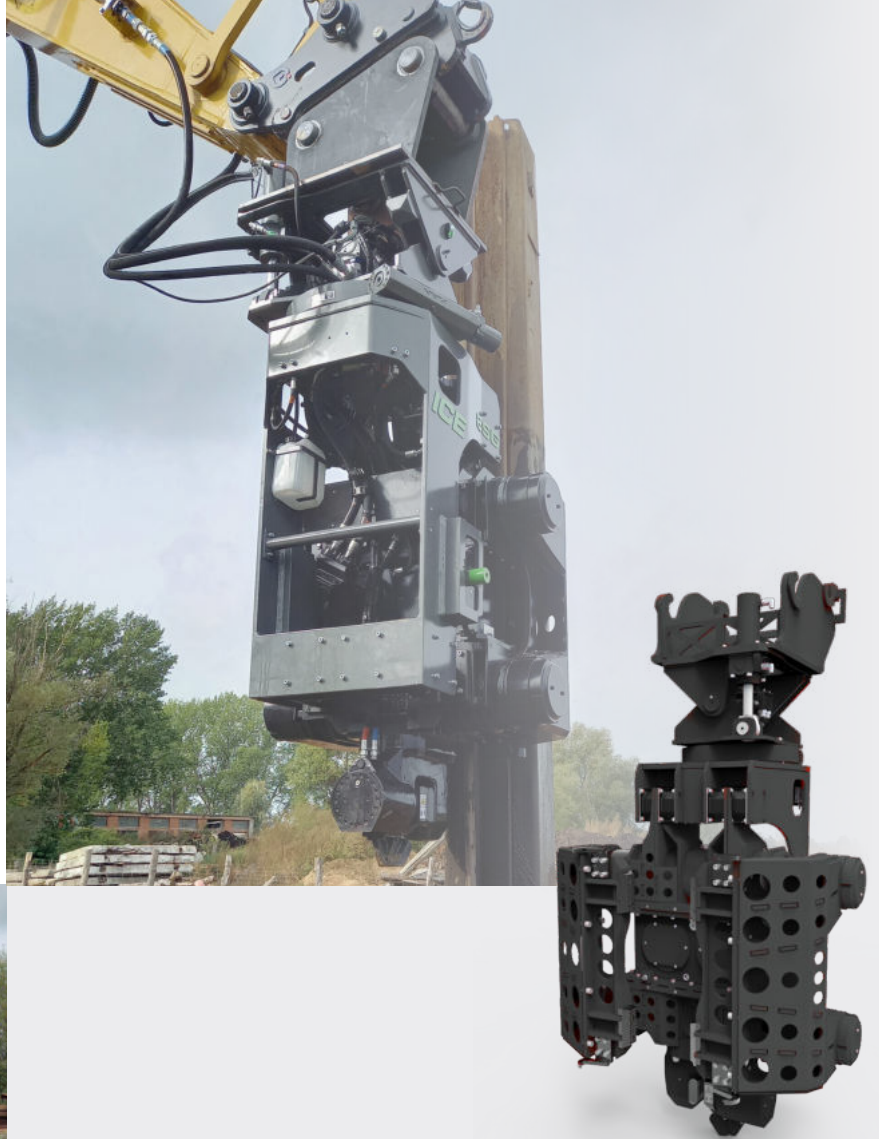


Round pile



Universal side grip

Tube side grip



ICE VIBRATORY HAMMER WITH SIDE GRIP

Eccentric moment	kgm	8
Max. centrifugal force	kN	464
Max. frequency	rpm	2300
Max. amplitude excl. 60TU	mm	7,0
Max. amplitude incl. 60TU	mm	6,2
Max. static line-pull	kN	120
Max. operating pressure	bar	350
Max. oil flow	l/min	214
Dynamic weight excl. 60TU	kg	2300
Dynamic weight incl. 60TU	kg	2550
Total weight excl. 60TU + tilting adaptor	kg	3300
L x W x H (incl 60TU + tilting adaptor)	mm	1416 x 1663 x 2580

APPLICATIONS



Excavator

- EXCAVATOR MOUNTED
- LIMITED SPACE SITUATION
- BANK PROTECTION
- QUAY WALL
- CONSTRUCTION PIT
- DYKE REINFORCEMENT

Dieseko Group manufactures in accordance with the latest emission-related standards for noise and the environment. Safety is of great importance when our products are being built and used. We comply to the highest quality standards during the production process.

For more information, please contact Dieseko Group, Department Sales in Sliedrecht, the Netherlands

ICE

INTERNATIONAL CONSTRUCTION EQUIPMENT

Dieseko Group B.V.
Lelystraat 49
3364 AH Sliedrecht, the Netherlands
Tel: (+31) 184 410 333
info@ice-holland.com
www.ice-holland.com

member of
DIESEKO GROUP
www.diesekogroup.com

2021-1 ©Dieseko Group BV. All rights reserved. No part of this publication may be reproduced and/or published in any manner whatsoever without prior written permission from Dieseko Group BV. Subject to change without notice.